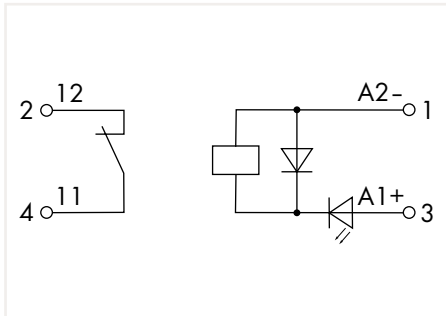


## Relay Module 2042 Series

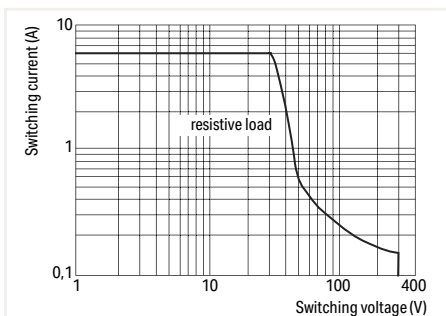
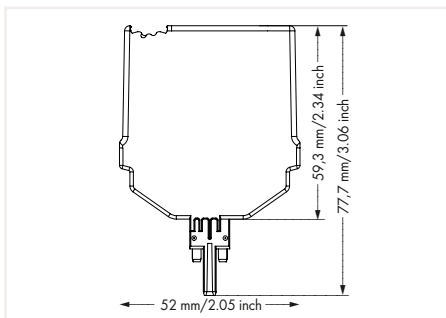


Similar to picture



Relay Module; Relay with 1 break contact; 24 VDC; for railway applications; Status indicator: green

$U_N$	$I_N$	Item No.	Pack. Unit
24 VDC	6.4 mA	2042-3054	6



DC Load Limit Curve

### Control Circuit

Input voltage range	-30 ... +25 %
---------------------	---------------

### Load Circuit

Number of break contacts/switch-off contacts	1
Contact material	AgSnO <sub>2</sub>
Limiting continuous current	6 A
Switching voltage (max.)	250 VAC
Switching power (resistive) max.	1500 VA (AC); DC see load limit curve
Recommended minimum load	10 V / 10 mA; 24 V / 1 mA
Pull-in time (typ.)	8 ms
Drop-out time (typ.)	4 ms
Electrical life (NC; resistive load; 23 °C)	10 x 10 <sup>8</sup> switching operations
Mechanical life	5 x 10 <sup>8</sup> switching operations

### Signaling

Status indicator	Green LED
------------------	-----------

### Safety and Protection

Rated voltage	250 V
Rated surge voltage	4 kV
Pollution degree	2
Dielectric strength, control/load circuit (AC, 1 min)	3 kV <sub>rms</sub>
Dielectric strength, open contact (AC, 1 min)	1 kV <sub>rms</sub>
Protection type	IP20

### Physical Data

Width	10.3 mm / 0.406 inch
Height	77.7 mm / 3.059 inch
Height from the surface	59.3 mm / 2.335 inch
Depth	52 mm / 2.047 inch

### Mechanical Data

Mounting type	Pluggable module for TOPJOB® S Carrier Terminal Block
---------------	---

### Material Data

Weight	67.9 g
--------	--------

### Environmental Requirements

Surrounding air temperature (operation at $U_N$ )	-40 ... +70 °C
Surrounding air temperature (storage)	-40 ... +85 °C
Processing temperature	-25 ... +50 °C

### Standards and Specifications

Standards/specifications	EN 61010-2-201; EN 61373; EN 50121-3-2
--------------------------	--

1